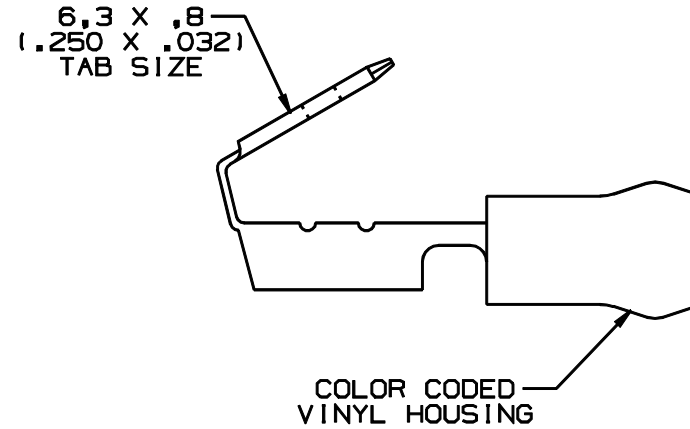
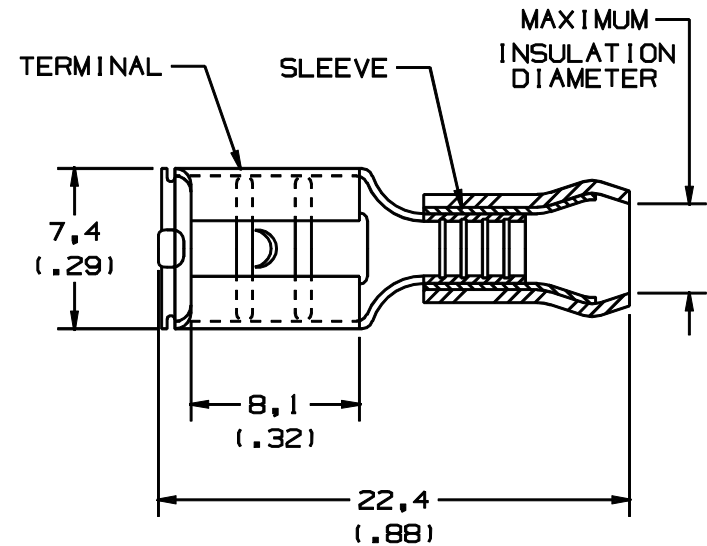


PANDUIT PART NO.		HOUSING COLOR	WIRE RANGE mm ²	MAX INSUL DIAMETER
PREFIX	PK			
DMV1-63P	-C -M	RED	0,5-1,5 (22-18)	3,30 (.13)
DMV2-63P	-C -M	BLUE	1,5-2,5 (16-14)	4,06 (.16)



NOTES:

- USED FOR:
 - 300V MAX. VOLTAGE RATING
 - 90° C (194° F) MAX. TEMP. RATING
 - STRANDED COPPER WIRE ONLY
- WIRE STRIP LENGTH: 6,3 ^{+0,8}₋₀ (1/4 ^{+1/32}₋₀)
- PACKAGE QTY:
 - STD: C=100
 - BULK: M=1000
- FIRST INSERTION FORCE- 62 N (14 LB.) MAX.
36 N (8 LB.) AVG.
FIRST WITHDRAWAL FORCE- 22 N (5 LB.) MIN.
36 N (8 LB.) AVG.
- DIMENSIONS IN BRACKETS ARE IN INCHES OR AWG.
- INSTALLATION TOOLS: REF. DWGS.
A41522, A41523, A41524, A41525
- MATERIAL:
STAMPING: BRASS, TIN PLATED
HOUSING : VINYL



A41526_01

				PANDUIT CORP. TINLEY PARK, ILLINOIS							
01	10/97	TM		CHANGED DECIMAL POINTS TO COMMAS			VINYL INSUL. METRIC PIGGYBACK DISCONNECTS 6,3 X 0,8 TAB SIZE				
00	11/91	BK	RS	RELEASED	00687	LA KS					
REV	DATE	BY	CHK	DESCRIPTION	ECN #	CUST	PM	DRAWN BY BDK	CHK'D	SCALE NONE	DRAWING NO. A41526